

## Warewashing green&clean Hood Type, Automatic with ESD, ZERO LIME Device, Filtering System & Detergent Dispenser

ITEM # \_\_\_\_\_

MODEL # \_\_\_\_\_

NAME # \_\_\_\_\_

SIS # \_\_\_\_\_

AIA # \_\_\_\_\_


**504293 (EHT8TIELG)**

Hood Type Dishwasher, with double skin insulated automatic hood with Energy Saving Device, Wash Safe Control, ZERO LIME Device, CLEAR BLUE Filtering System, built-in detergent and rinse aid dispenser and drain pump, 80r/h

### Short Form Specification

#### Item No.

Unit to be 304 Stainless steel construction to include automatic double skin insulated hood, external, front and side panels, wash tank, tank filter plus wash and rinse arms. Unit to feature built in Energy Saving Device (ESD). ESD permits the unit to operate with COLD WATER (10°-30° C).

Uses 2 liters of clean 84°C final rinse water per cycle. Rinse temperature and pressure guaranteed by AISI 304 built in atmospheric boiler and built in rinse booster pump. Washing performance is guaranteed by a powerful 0.8 kW wash pump and upper and lower stainless steel revolving washing spray arms. ZERO LIME device automatically descales the whole hydraulic circuit and washing chamber. Unit to feature "WASH SAFE CONTROL" led light. Green light will indicate that all items washed have been properly rinsed. CLEAR BLUE filtering system removes majority of soil from the wash water. The unit shall include drain pump, detergent dispenser and rinse aid dispenser pump and is equipped with flexible fill hoses. Convertible from straight to corner operation and delivered on height-adjustable feet.

### Main Features

- CLEAR BLUE advanced filtering system provides cleaner wash water and higher active detergent thus ensuring better washing performances and lower running costs.
- NSF/ANSI 3 and DIN 10512 compliant.
- Maximum capacity per hour of 80 racks or 1.440 dishes (High productivity mode) easy to switch to 63 racks or 1.134 dishes (NSF/ANSI 3 mode) by pressing a button.
- Built-in atmospheric boiler sized to raise incoming cold water to a minimum of 84 °C for sanitizing rinse. No external boiler is required. Constant temperature of 84 °C throughout the rinsing cycle regardless of the network's water pressure.
- Green light of "WASH SAFE CONTROL" confirms that items have been rinsed properly.
- Unique temperature interlock guarantees required temperatures in both the wash and final rinse in case of emergency cold water feeding.
- Slanted wash arms and sloped ceiling to avoid detergent-filled wash water dropping on clean dishes after the rinsing phase, thus guaranteeing ideal washing results.
- Incorporated Soft Start feature to offer additional protection to more delicate items.
- Automatic start on hood closure and automatic hood lifting when cycle ends.
- Cycle may be interrupted at any time by lifting the hood.
- Built-in rinse aid and detergent dispenser with automatic initial and continuous cycle loading for perfect result while minimizing service and maintenance needs.
- Three phase electrical connection, convertible to single phase on-site.
- LED strip on the top keeps operator informed on machine status.
- State-of-the-art electronic controls with built-in programming, self-diagnostics for serviceability and automatic interior self-cleaning cycle.
- Automatic self-cleaning cycle and self-draining vertical wash pump and boiler to avoid bacteria proliferation.
- Boiler power setting from control panel to facilitate technician's operation when reducing total installed power, thus avoiding the need of machine opening.
- 45/84/150 seconds cycles (High productivity mode); 57/84/150 seconds cycles (NSF/ANSI 3 mode).
- IP25 protection against water jets, solid objects and small animals (larger than 6 mm).
- Built-in rinse aid dispenser with automatic initial and continuous cycle loading for perfect result while minimizing service and maintenance needs.

### Construction

- Element protection from dry fire and low water.
- Heavy duty Stainless steel construction. Internal cavity as well as exterior panels are in 304 series

APPROVAL: \_\_\_\_\_

Stainless steel.

- Pressed tank in front position to facilitate cleaning.
- Automatic double skin insulated hood.
- Specially designed Stainless steel wash/rinse arms and nozzles provide superior cleaning action.
- Revolving interchangeable Stainless steel wash/rinse arms above and below the rack, screw out for simple clean up.
- Pre-arranged for on-site HACCP implementation and Energy Management device.
- Unit to include drain, detergent and rinse aid dispenser pumps
- Unit to include drain pump and rinse aid dispenser pump.

### Sustainability



- Built-in high efficiency Energy Saving Device (ESD) transfers the heat captured inside the machine to the incoming cold water before entering the boiler, thus saving energy; no ventilation hood is needed for the machine (depending on local regulation and conditional on compliance with VDI 2052).
- ZERO LIME Device ensures total scale removal from the boiler, the hydraulic circuits and the washing chamber allowing ultimate performances and lower energy consumption thanks to the high-efficiency heating element.
- Requires only 2 liters of water per washing cycle thus ensuring low energy, water, detergent and rinse aid consumption.

### Included Accessories

- 2 of Yellow cutlery container PNC 864242
- 1 of Basket for 18 dinner plates - yellow PNC 867002
- 1 of Basket for 48 small cups or 24 cups - blue PNC 867007

### Optional Accessories

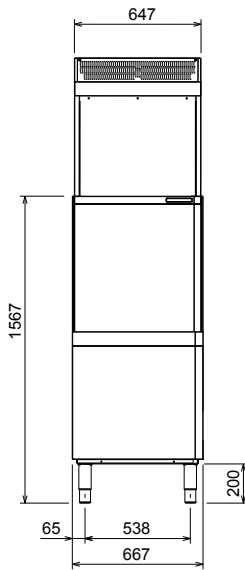
- Kit 8 plastic boxes for cutlery - yellow PNC 780068
- 12lt external manual water softener PNC 860412
- 8lt external automatic water softener PNC 860413
- 20lt external manual water softener PNC 860430
- Connectivity kit for Double Skin Hood Type Dishwashers (ECAP) PNC 864007
- Stainless steel inlet hose kit PNC 864016
- Filter for partial demineralization PNC 864017
- Kit to measure total and partial water hardness PNC 864050
- Yellow cutlery container PNC 864242
- Filter for total demineralization PNC 864367
- External reverse osmosis filter for single tank Dishwashers with atmosphere boiler and Ovens PNC 864388
- Pressure reducer for single tank dishwasher PNC 864461
- Kit of rack and support to wash fryer basket PNC 864463
- Kit of 100mm feet for Hood Type Dishwasher PNC 864464
- Frontal control panel for double skin automatic Hood Type Dishwasher PNC 864466
- Feet for Hood type dishwashers - marine PNC 865492
- Extra heavy rack support for hood type dishwasher PNC 865493
- Kit 4 plastic boxes for cutlery - yellow PNC 865574
- Basket for 6 trays 530x370 mm - red PNC 866743
- Basket for 12 soup bowls - green PNC 867000
- Basket for 18 dinner plates - yellow PNC 867002
- Basket for 48 small cups or 24 cups - blue PNC 867007
- Cover rack for small and light items (500x500 baskets) PNC 867016
- Baskets for 25 tilted glasses (h 120 mm - diam 80 mm) - blue PNC 867021
- Basket for 16 vertical glasses (h 70 mm - diam 100 mm) - blue PNC 867023
- Basket semi-professional 500x500x190mm PNC 867024
- Baskets for 16 tilted glasses (h 220 mm - diam 100 mm) - blue PNC 867040



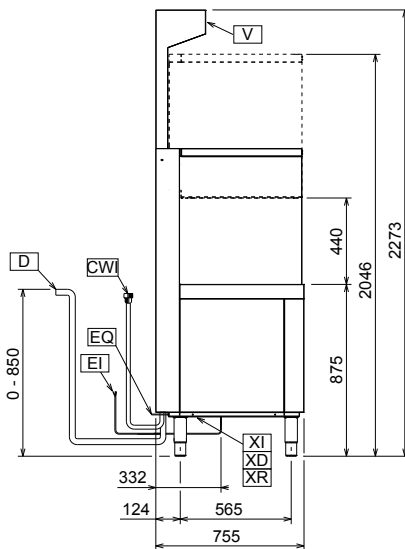
**Electrolux**  
PROFESSIONAL

Warewashing  
green&clean Hood Type, Automatic with ESD,  
ZERO LIME Device, Filtering System &  
Detergent Dispenser

Front

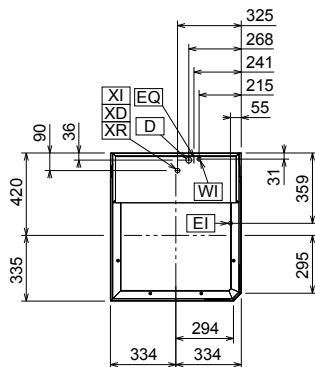


Side



- |                                      |                                |
|--------------------------------------|--------------------------------|
| CWII = Cold Water inlet 1 (cleaning) | XI = Chemicals inlet (generic) |
| D = Drain                            | XR = Rinse aid connection      |
| EI = Electrical inlet (power)        |                                |
| EO = Electrical Outlet               |                                |
| V = Vents                            |                                |
| WI = Water inlet                     |                                |
| XD = Detergent connection            |                                |

Top



### Electric

Supply voltage:	400 V/3N ph/50 Hz
504293 (EHT8TIELG)	230V 1N~; 230V 3~
Convertible to:	
Default Installed Power:	9.9 kW
Boiler Heating Elements Power:	9 kW
Tank heating elements:	3 kW

### Water:

Drain line size:	20.5mm
Inlet water supply pressure:	0.5-7 bar
Boiler Capacity (lt):	12
Tank Capacity (lt):	24

### Key Information:

N° of cycles:	3
Duration cycle*:	45/84/150 sec.
Duration cycle - NSF/ANSI 3 compliant:	57/84/150 sec.
Racks per hour*:	80
Racks per hour - NSF/ANSI 3 compliant:	63
Dishes per hour*:	1440
Dishes per hour - NSF/ANSI 3 compliant:	1134
Wash temperature:	55-65 °C
Wash temperature - NSF/ANSI 3 compliant:	75 °C
Rinse temperature:	84 °C
External dimensions, Width:	667 mm
External dimensions, Depth:	755 mm
External dimensions, Height:	2273 mm
Net weight:	152 kg
Shipping weight:	138 kg
Shipping weight (ESD):	33 kg
Shipping volume:	1.02 m <sup>3</sup>
Shipping volume (ESD):	0.33 m <sup>3</sup>
Packaging size (WxDxH):	820x730x1710 mm
Packaging size ESD (WxDxH):	730x930x490 mm

### Air Emission:

Air Flow:	28 m <sup>3</sup> /h
Air temperature:	26 - 29 °C
Air humidity:	55%

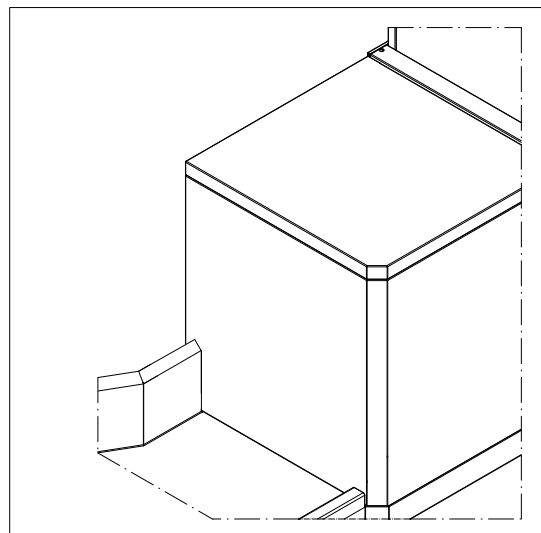
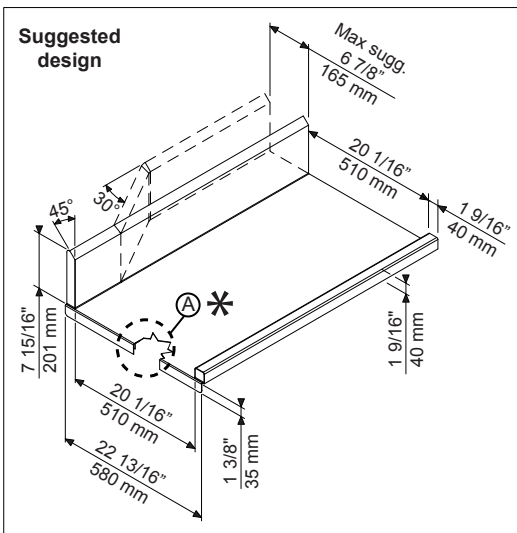
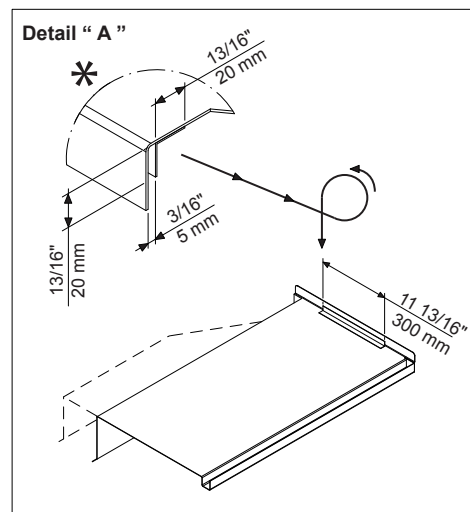
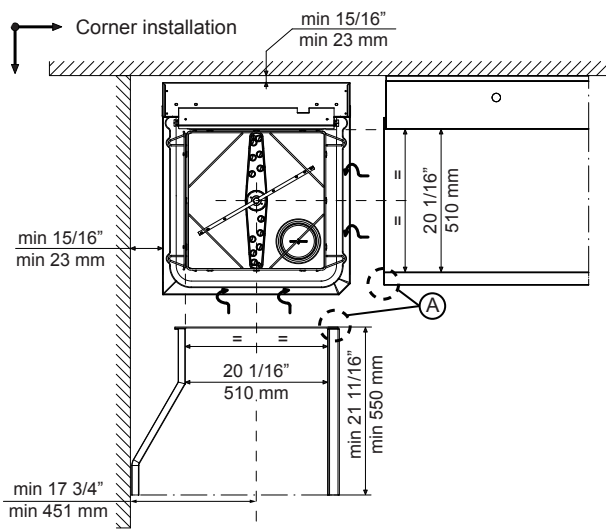
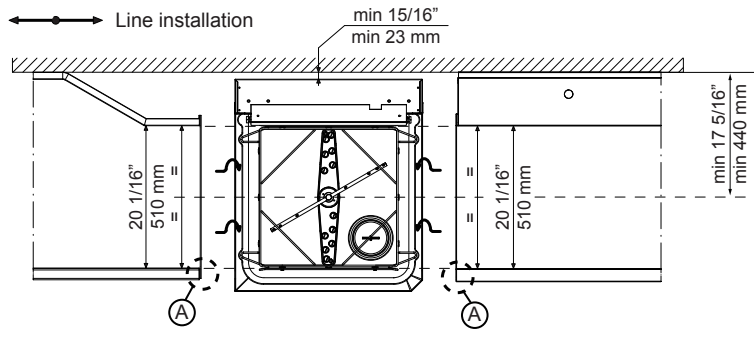
\* productivity guaranteed at any supply temperature allowed in the range above. To ensure full energy recovery, an extra 11 seconds is required.

Latent heat:	350 W
Sensible heat:	1490 W

### Sustainability

Water supply temperature*:	10-20 °C
Water consumption per cycle (lt):	2
Noise level:	<63 dBA

### Recommended table connection



All tables must be connected to the dishwashing units according to local regulations and industry standards which may differ from the recommendations herein suggested. Electrolux Professional is not liable for any failure in complying with local design standards.

Doc Nr : 59566BD00